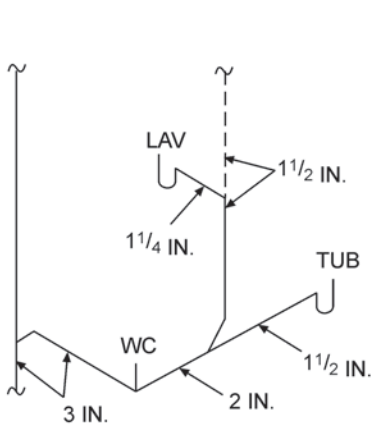


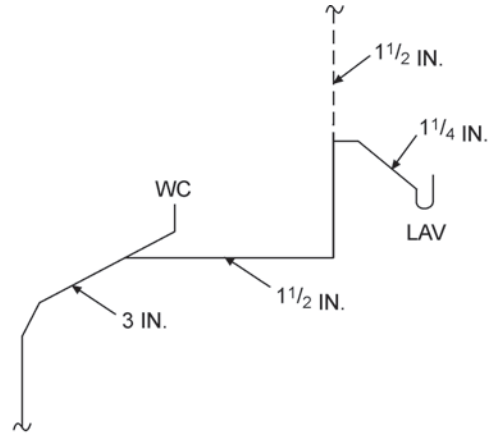
# APPENDIX N

## VENTING METHODS

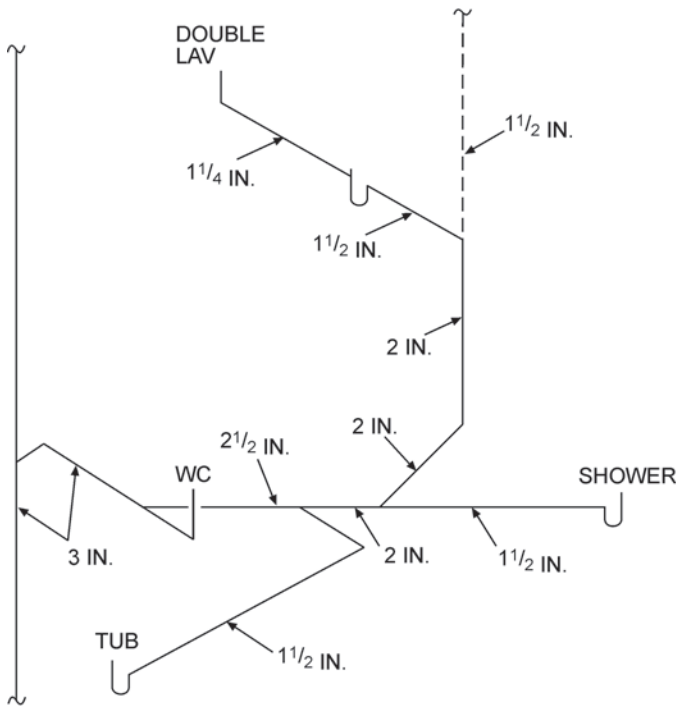
(This appendix is informative and is not part of the code.  
This appendix provides examples of various of venting methods.)



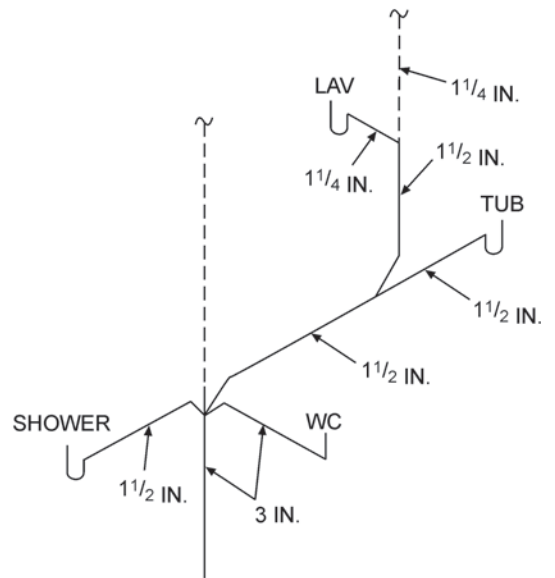
A. TYPICAL SINGLE-BATH ARRANGEMENT



B. TYPICAL POWDER ROOM



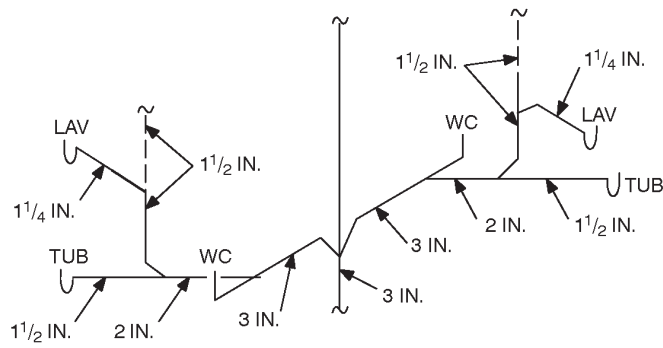
C. MORE ELABORATE SINGLE-BATH ARRANGEMENT



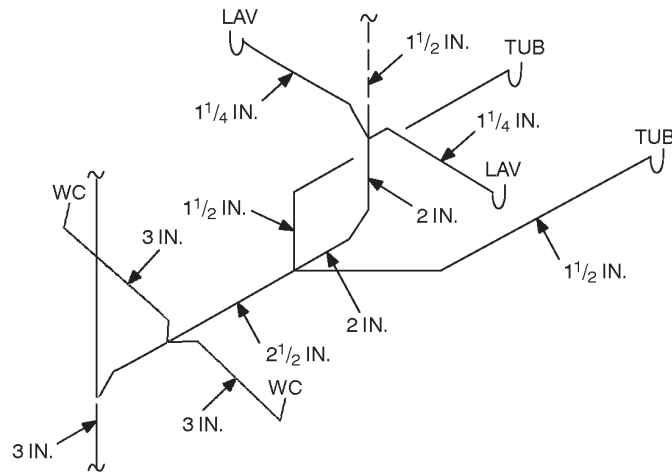
D. COMBINATION WET- AND STACK-VENTING WITH STACK FITTING

For SI: 1 inch = 25.4.

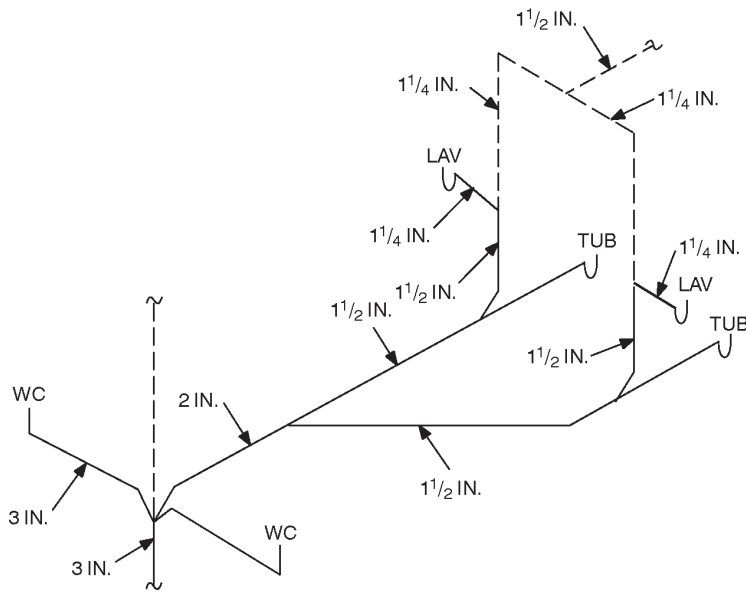
**FIGURE N1**  
**TYPICAL SINGLE-BATH WET-VENT ARRANGEMENTS**



A. TYPICAL BACK-TO-BACK BATHS



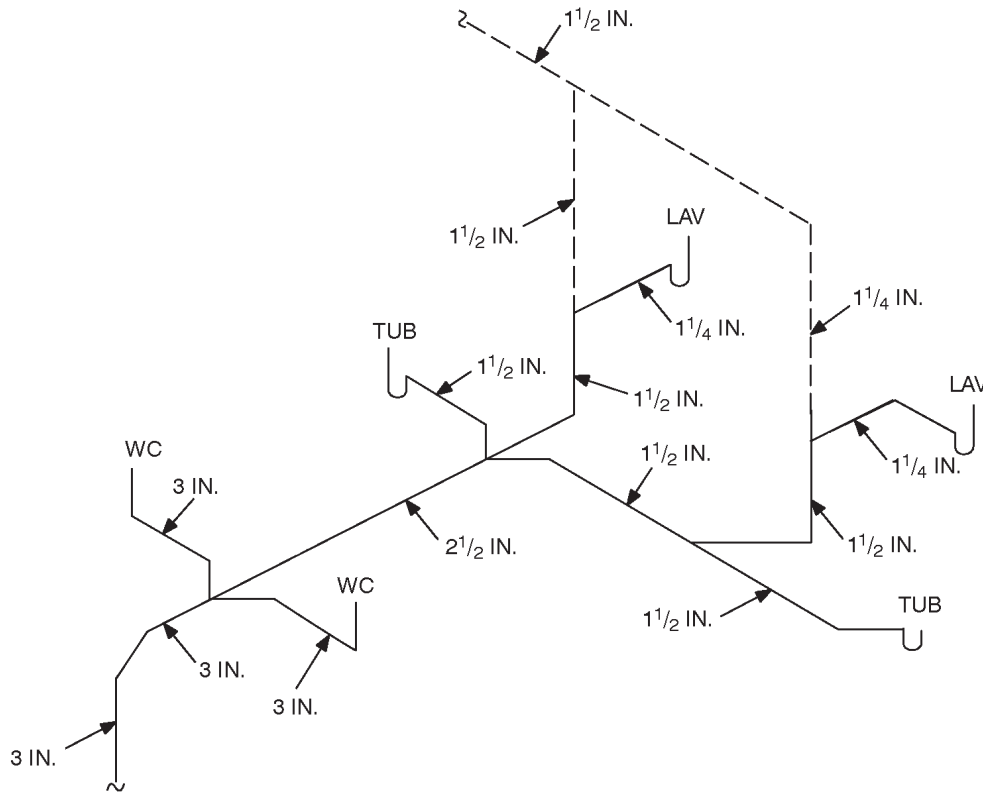
B. DOUBLE BATHS WITH FIXTURES ON COMMON HORIZONTAL BRANCH, COMMON WET VENT



C. DOUBLE BATHS WITH WASTE FIXTURES ON COMMON HORIZONTAL BRANCH, INDIVIDUAL WET VENTS

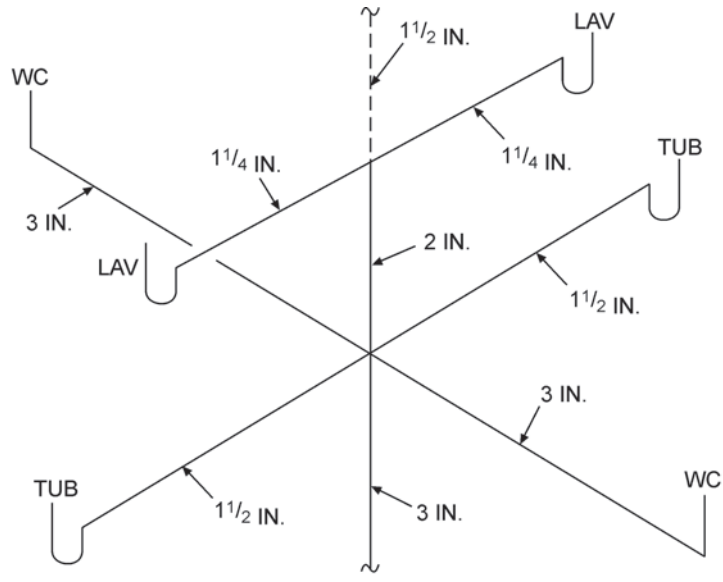
For SI: 1 inch = 25.4.

**FIGURE N2**  
**TYPICAL DOUBLE-BATH WET-VENT ARRANGEMENTS**

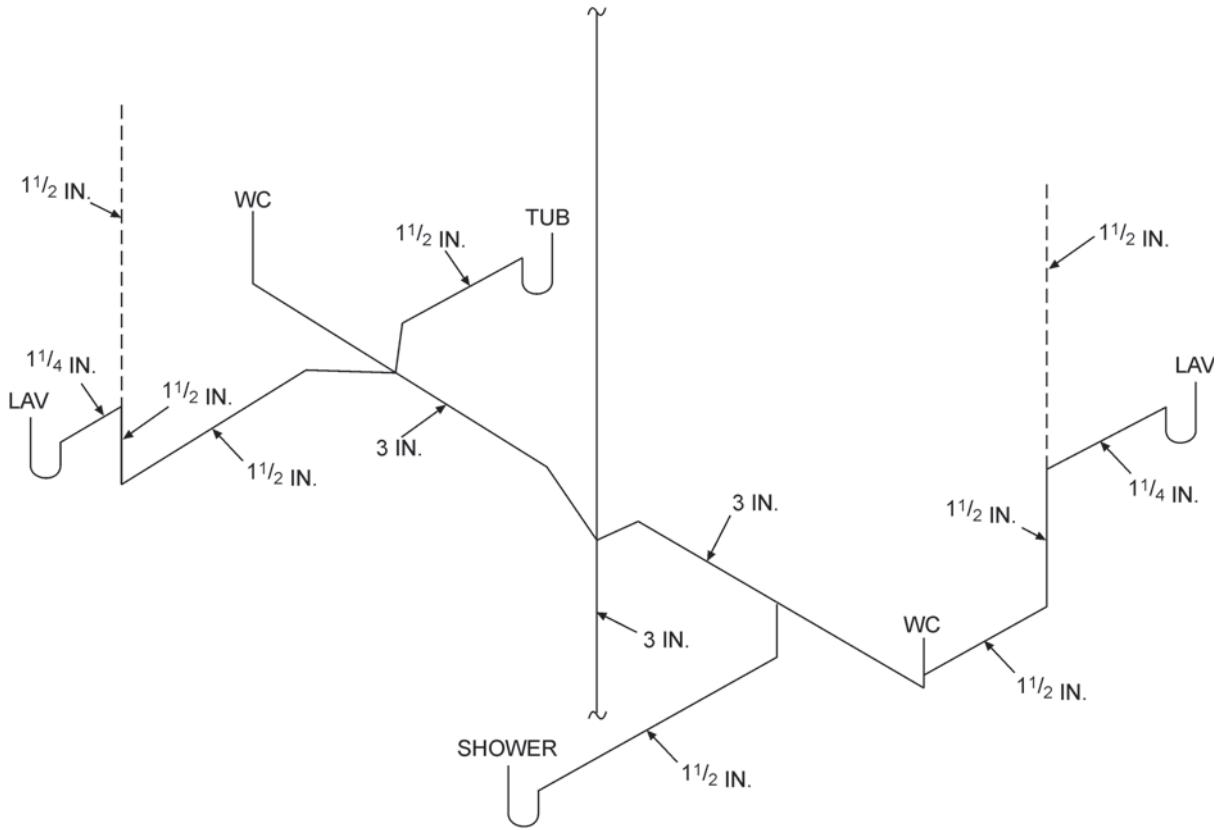


For SI: 1 inch = 25.4 mm.

**FIGURE N3**  
**TYPICAL HORIZONTAL WET VENTING**



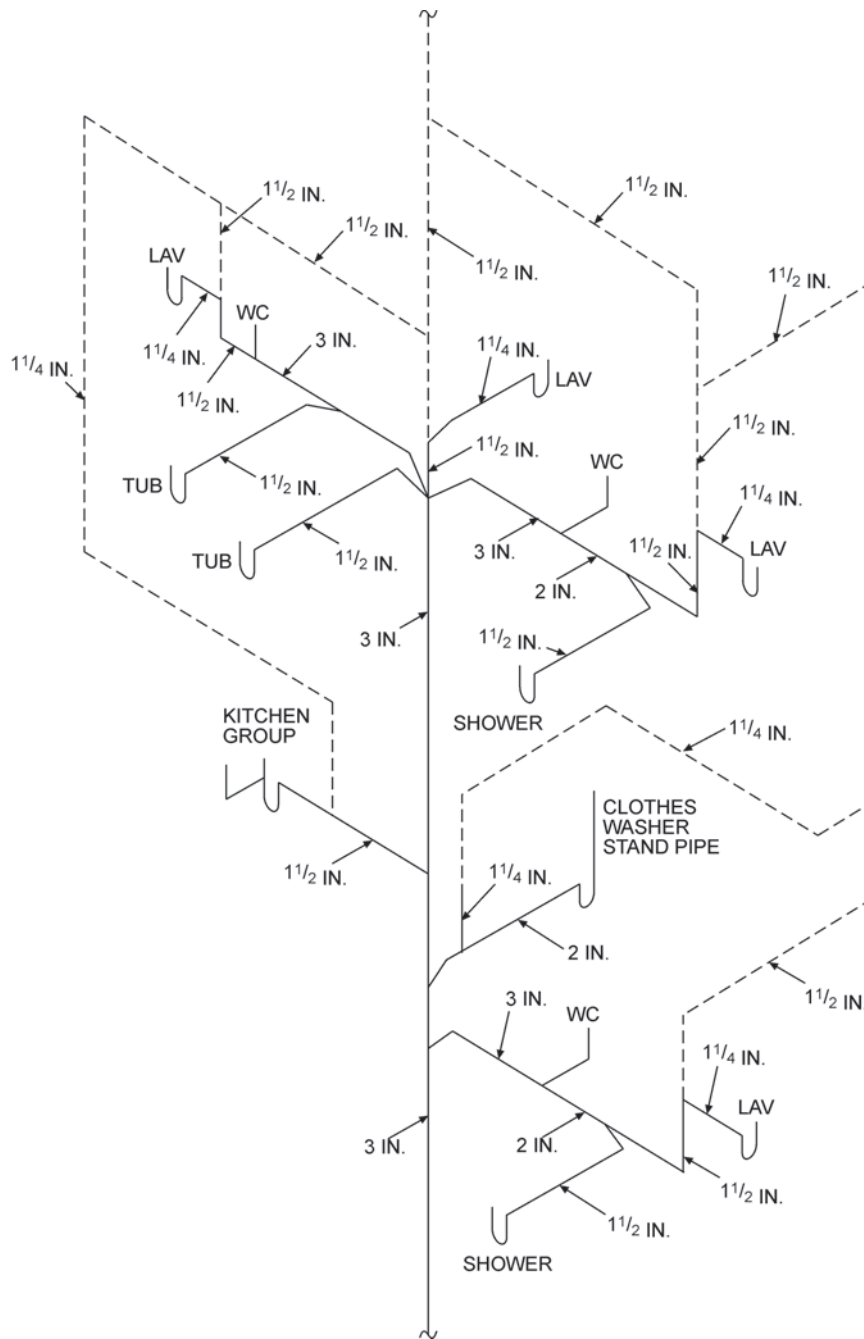
A. VERTICAL WET VENTING



B. HORIZONTAL WET VENTING

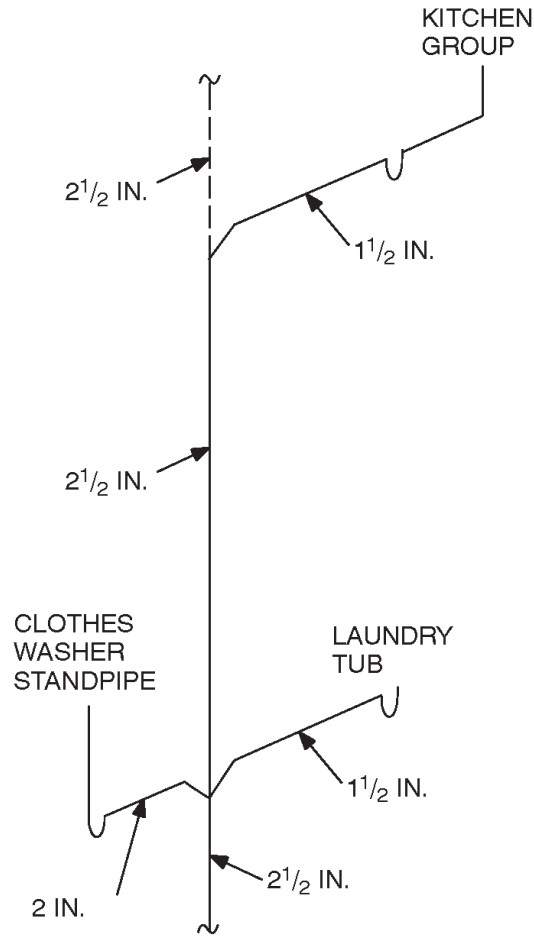
For SI: 1 inch = 25.4 mm.

**FIGURE N4**  
**TYPICAL METHODS OF WET VENTING**



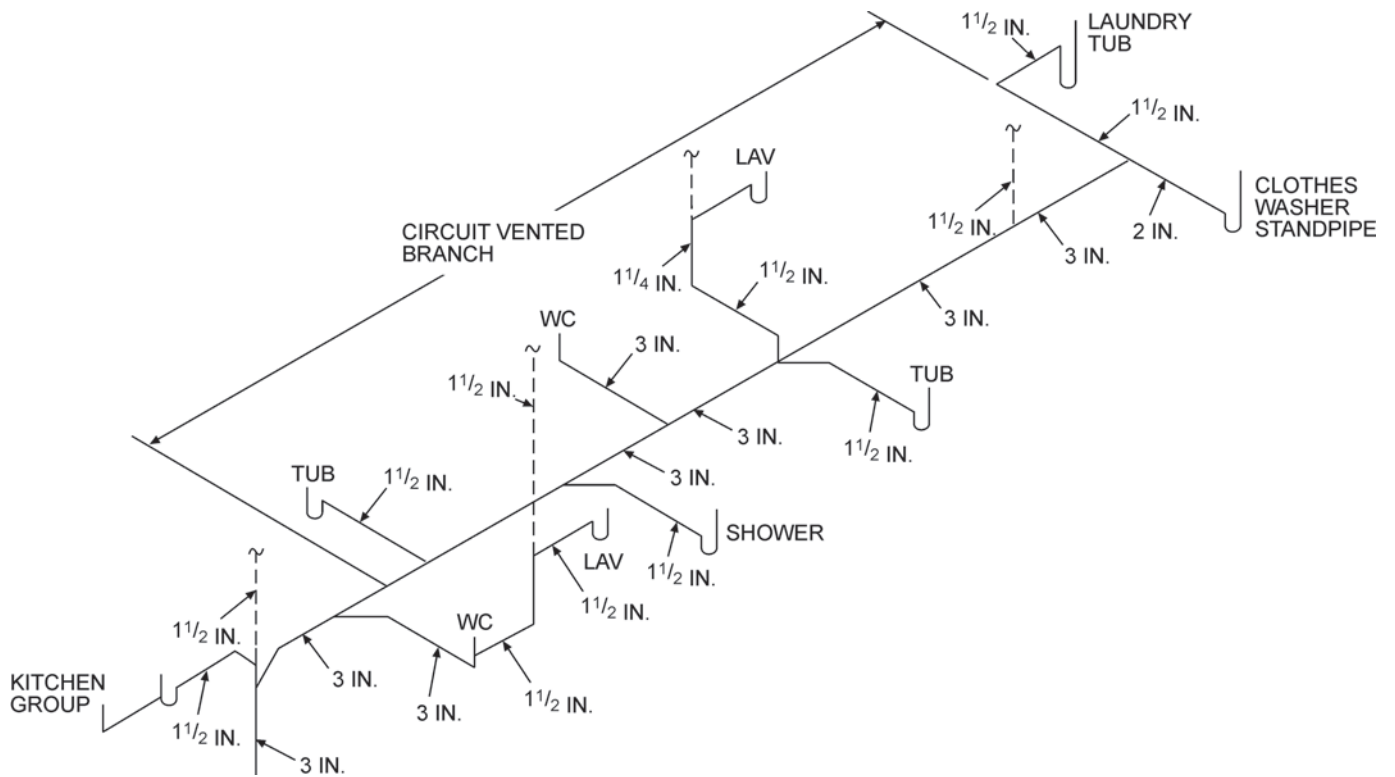
For SI: 1 inch = 25.4 mm.

**FIGURE N5**  
**SINGLE STACK SYSTEM FOR A TWO-STORY DWELLING**



For SI: 1 inch = 25.4 mm.

**FIGURE N6  
WASTE STACK VENTING**



For SI: 1 inch = 25.4 mm.

**FIGURE N7**  
**CIRCUIT VENT WITH ADDITIONAL NONCIRCUIT VENTED BRANCH**

